



**www.k-f.ch**  
**k-f@k-f.ch**  
**+41 55 286 32 00**

**Kälin + Fischer AG**  
**Gublenstrasse 6**  
**CH-8733 Eschenbach**  
**Switzerland**

## Induktive Bauteile

**Stabkerndrosseln**  
**HF-Entstördrosseln**  
**Drosselspulen**  
**Induktivitäten**

### Einführung:

Wir stellen seit 1970 Induktivitäten und Drosseln her. Unsere Liefermöglichkeiten umfassen Kleinmengen sowie Großserien. Wir liefern Drosseln für KFZ Elektronik – Kleinmaschinen- Entstörung und elektronische Schaltungen. Unsere Standardtypen können jederzeit Ihren Forderungen und Wünschen angepasst werden. Wir fertigen Großserien vollautomatisch. Kleinserien und Sonderbauformen werden halbautomatisch in unserem Tunesischen Werk gefertigt. Alle Typen können mit Kabeln und Kontakten versehen werden.

### Anwendung:

Sie finden hier unsere Standard Typen von Festinduktivitäten für Funkentstörung von Kollektormotoren und Haushaltgeräten. Die Drosseln können für Hoch- oder Niederfrequenzschalten eingesetzt werden. Wir haben Induktivitäten mit verschiedenen Grundmaterialien: Eisenpulverkernen – Ferritkernen – MPP-Kerne – Elektroblechen

### Ausführungen:

Wir können Ihnen die Drosseln und je nach Bauform in verschiedenen Ausführungen liefern. Radial – achsial – isoliert – beschriftet – gegurtet – in Einzelverpackung – Schüttware

### Export:

Wir exportieren unsere Produkte weltweit. Europa – Asien – USA – Indien - Südamerika  
Unsere Exportverpackungen garantieren eine einwandfreie Anlieferqualität.

## Inductive Components

**Rod Core chokes**  
**HF-Choke**  
**Inductance coil**  
**Inductance**

### Introduction:

Since 1970 we are producing inductance chokes. Our availabilities contain small lots as well as mass-produced parts. We supply chokes for automotive applications – commutator motors and high and low frequency circuits. Our standard types can be remodeled to you special requirements and wises. Mass production is fully automated, special designed version are semi automated produced at our plant in Tunisia. All chokes can be assembled with cables and connectors.

### Application:

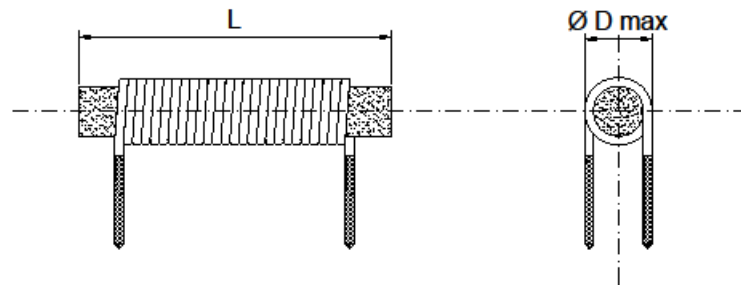
In this brochure you will find our standard types of chokes for filtering and suppression of commutator motors and house hold electrical machines. The chokes can be used for high and low frequency applications. Different types of material are used: iron-powder-cores, ferrite-cores, MPP-cores and electrical-steel.

### Modeling:

We are able to do any requested modeling of chokes.  
Radial – axial – isolated – marked – banded – blister packed – bulk packing.

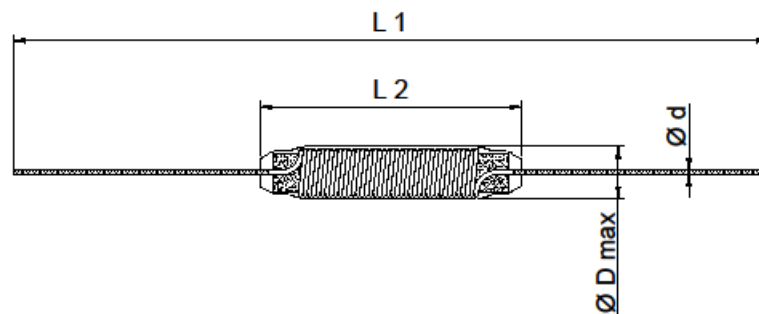
### Export:

We do export worldwide.  
Europe – Asia – USA- India – South America  
Our export pickings are a guarantee for high quality of our products on arrival.

**Stabkerndrosseln radial**  
**Chokes radial**

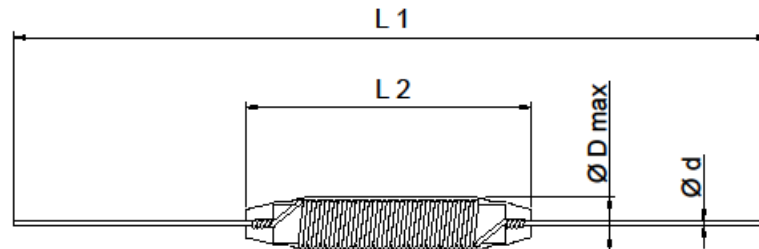
Type	Inductance	Current	L	Ø D max
R-15-F-2,5	2,5 µH	1,5 A	10,0 mm	2,7 mm
R-15-F-5	5,0 µH	1,5 A	10,0 mm	2,5 mm
R-15-F-10	10,0 µH	1,5 A	14,0 mm	2,5 mm
R-15-F-15	15,0 µH	1,5 A	19,0 mm	4,0 mm
R-15-F-20	20,0 µH	1,5 A	19,0 mm	4,0 mm
R-15-F-25	25,0 µH	1,5 A	20,0 mm	5,0 mm
R-15-F-30	30,0 µH	1,5 A	20,0 mm	5,0 mm
R-15-F-35	35,0 µH	1,5 A	30,0 mm	5,4 mm
R-30-F-2,5	2,5 µH	3,0 A	14,0 mm	3,0 mm
R-30-F-5	5,0 µH	3,0 A	19,0 mm	4,3 mm
R-30-F-10	10,0 µH	3,0 A	19,0 mm	4,3 mm
R-30-F-15	15,0 µH	3,0 A	20,0 mm	6,3 mm
R-30-F-20	20,0 µH	3,0 A	20,0 mm	6,3 mm
R-30-F-25	30,0 µH	3,0 A	30,0 mm	5,3 mm
R-30-F-30	30,0 µH	3,0 A	30,0 mm	5,3 mm
R-50-F-2,5	2,5 µH	5,0 A	19,0 mm	4,8 mm
R-50-F-5	5,0 µH	5,0 A	19,0 mm	4,8 mm
R-50-F-7,5	7,5 µH	5,0 A	20,0 mm	7,0 mm
R-50-F-10	10,0 µH	5,0 A	30,0 mm	5,8 mm
R-50-F-15	15,0 µH	5,0 A	30,0 mm	5,8 mm
R-50-F-20	20,0 µH	5,0 A	27,0 mm	7,8 mm
R-70-F-1,5	1,5 µH	7,0 A	19,0 mm	5,6 mm
R-70-F-2,5	2,5 µH	7,0 A	20,0 mm	6,6 mm
R-70-F-3,5	3,5 µH	7,0 A	20,0 mm	7,6 mm
R-70-F-5	5,0 µH	7,0 A	27,0 mm	8,6 mm
R-70-F-7	7,0 µH	7,0 A	30,0 mm	6,6 mm
R-70-F-9	9,0 µH	7,0 A	27,0 mm	8,6 mm

**Stabkerndrosseln achsial, isoliert**  
**Chokes axial, isolated**



Type	Inductance	Current	L 1	L 2	Ø D max
AI-15-F-2,5	2,5 µH	1,5 A	66,0 mm	16,0 mm	3,9 mm
AI-15-F-5	5,0 µH	1,5 A	66,0 mm	16,0 mm	3,7 mm
AI-15-F-10	10,0 µH	1,5 A	70,0 mm	20,0 mm	3,7 mm
AI-15-F-15	15,0 µH	1,5 A	75,0 mm	25,0 mm	5,2 mm
AI-15-F-20	20,0 µH	1,5 A	75,0 mm	25,0 mm	5,2 mm
AI-15-F-25	25,0 µH	1,5 A	76,0 mm	26,0 mm	6,2 mm
AI-15-F-30	30,0 µH	1,5 A	76,0 mm	26,0 mm	6,2 mm
AI-15-F-35	35,0 µH	1,5 A	86,0 mm	36,0 mm	6,6 mm
AI-30-F-2,5	2,5 µH	3,0 A	70,0 mm	20,0 mm	4,2 mm
AI-30-F-5	5,0 µH	3,0 A	75,0 mm	25,0 mm	5,5 mm
AI-30-F-10	10,0 µH	3,0 A	75,0 mm	25,0 mm	5,5 mm
AI-30-F-15	15,0 µH	3,0 A	76,0 mm	26,0 mm	7,5 mm
AI-30-F-20	20,0 µH	3,0 A	76,0 mm	26,0 mm	7,5 mm
AI-30-F-25	30,0 µH	3,0 A	86,0 mm	36,0 mm	6,5 mm
AI-30-F-30	30,0 µH	3,0 A	86,0 mm	36,0 mm	6,5 mm
AI-50-F-2,5	2,5 µH	5,0 A	75,0 mm	25,0 mm	6,0 mm
AI-50-F-5	5,0 µH	5,0 A	75,0 mm	25,0 mm	6,0 mm
AI-50-F-7,5	7,5 µH	5,0 A	76,0 mm	26,0 mm	8,2 mm
AI-50-F-20	20,0 µH	5,0 A	83,0 mm	33,0 mm	9,0 mm
AI-50-F-10	10,0 µH	5,0 A	86,0 mm	36,0 mm	7,0 mm
AI-50-F-15	15,0 µH	5,0 A	86,0 mm	36,0 mm	7,0 mm
AI-70-F-1,5	1,5 µH	7,0 A	75,0 mm	25,0 mm	6,8 mm
AI-70-F-2,5	2,5 µH	7,0 A	76,0 mm	26,0 mm	7,8 mm
AI-70-F-3,5	3,5 µH	7,0 A	76,0 mm	26,0 mm	8,8 mm
AI-70-F-5	5,0 µH	7,0 A	83,0 mm	33,0 mm	9,8 mm
AI-70-F-9	9,0 µH	7,0 A	83,0 mm	33,0 mm	9,8 mm
AI-70-F-7	7,0 µH	7,0 A	86,0 mm	36,0 mm	8,8 mm

**Stabkerndrosseln achsial, isoliert**  
**Chokes axial, isolated**



Type	Inductance	Current	L 1	L 2	Ø D max
AI-05-P-10	10,0 µH	0,5 A	58,5 mm	17,5 mm	5,2 mm
AI-05-P-15	15,0 µH	0,5 A	58,5 mm	17,5 mm	5,2 mm
AI-05-P-20	20,0 µH	0,5 A	58,5 mm	17,5 mm	5,2 mm
AI-05-P-25	25,0 µH	0,5 A	58,5 mm	17,5 mm	5,2 mm
AI-05-P-30	30,0 µH	0,5 A	58,5 mm	17,5 mm	5,2 mm
AI-05-P-45	45,0 µH	0,5 A	62,0 mm	21,0 mm	5,2 mm
AI-05-P-60	60,0 µH	0,5 A	62,0 mm	21,0 mm	5,2 mm
AI-08-P-10	10,0 µH	0,8 A	62,0 mm	21,0 mm	5,3 mm
AI-08-P-15	15,0 µH	0,8 A	62,0 mm	21,0 mm	5,3 mm
AI-08-P-20	20,0 µH	0,8 A	62,0 mm	21,0 mm	5,3 mm
AI-08-P-25	25,0 µH	0,8 A	63,5 mm	22,5 mm	5,3 mm
AI-08-P-30	30,0 µH	0,8 A	63,5 mm	22,5 mm	5,3 mm
AI-08-P-40	40,0 µH	0,8 A	74,0 mm	33,0 mm	6,9 mm
AI-08-P-50	50,0 µH	0,8 A	74,0 mm	33,0 mm	6,9 mm
AI-08-P-60	60,0 µH	0,8 A	74,0 mm	33,0 mm	6,9 mm
AI-10-P-5	5,0 µH	1,0 A	58,5 mm	17,5 mm	5,3 mm
AI-10-P-10	10,0 µH	1,0 A	58,5 mm	17,5 mm	5,3 mm
AI-10-P-12	12,0 µH	1,0 A	58,5 mm	17,5 mm	5,3 mm
AI-10-P-14	14,0 µH	1,0 A	58,5 mm	17,5 mm	5,3 mm
AI-10-P-16	16,0 µH	1,0 A	62,0 mm	21,0 mm	5,4 mm
AI-10-P-18	18,0 µH	1,0 A	62,0 mm	21,0 mm	5,4 mm
AI-10-P-20	20,0 µH	1,0 A	63,5 mm	22,5 mm	5,4 mm
AI-10-P-22	22,0 µH	1,0 A	63,5 mm	22,5 mm	5,4 mm
AI-10-P-25	25,0 µH	1,0 A	69,0 mm	28,0 mm	6,8 mm
AI-10-P-30	30,0 µH	1,0 A	69,0 mm	28,0 mm	6,8 mm
AI-10-P-35	35,0 µH	1,0 A	69,0 mm	28,0 mm	6,8 mm
AI-10-P-40	40,0 µH	1,0 A	74,0 mm	33,0 mm	8,1 mm
AI-12-P-5	5,0 µH	1,2 A	63,5 mm	22,5 mm	5,5 mm

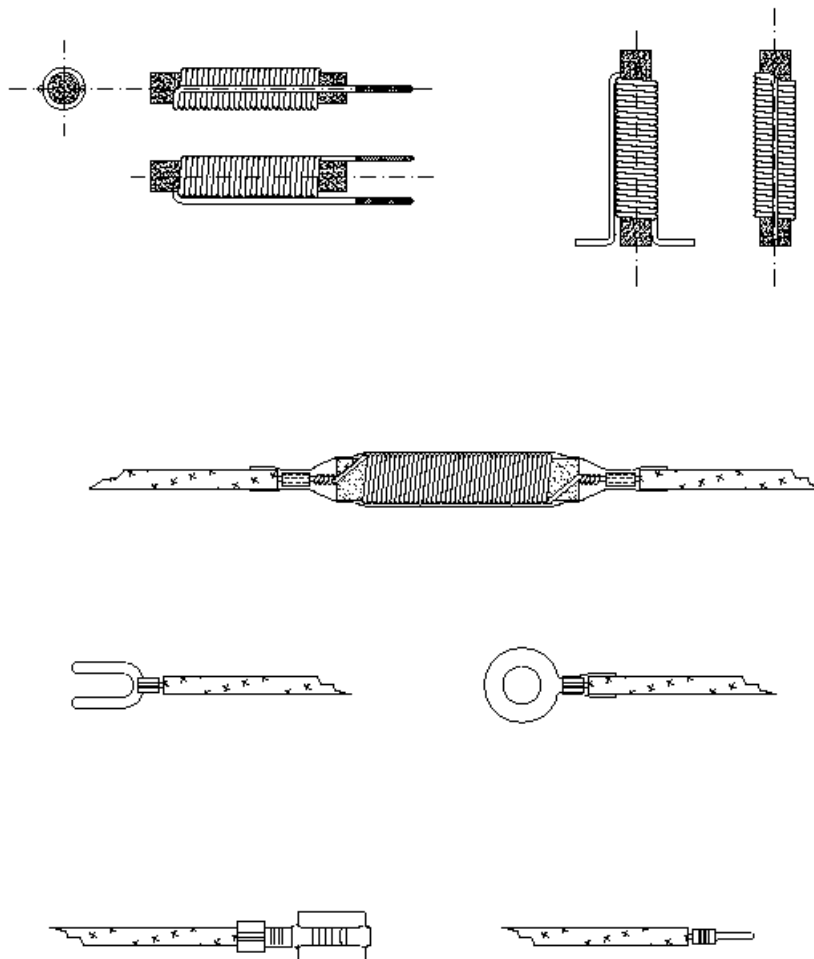


[www.k-f.ch](http://www.k-f.ch)  
[k-f@k-f.ch](mailto:k-f@k-f.ch)  
+41 55 286 32 00

**Kälin + Fischer AG**  
Gublenstrasse 6  
CH-8733 Eschenbach  
Switzerland

Type	Inductance	Current	L 1	L 2	Ø D max
AI-12-P-10	10,0 µH	1,2 A	63,5 mm	22,5 mm	5,5 mm
AI-12-P-12	12,0 µH	1,2 A	63,5 mm	22,5 mm	5,5 mm
AI-12-P-14	14,0 µH	1,2 A	63,5 mm	22,5 mm	5,5 mm
AI-12-P-16	16,0 µH	1,2 A	69,0 mm	28,0 mm	7,1 mm
AI-12-P-18	18,0 µH	1,2 A	65,0 mm	24,0 mm	6,8 mm
AI-12-P-20	20,0 µH	1,2 A	69,0 mm	28,0 mm	7,1 mm
AI-12-P-25	25,0 µH	1,2 A	65,0 mm	24,0 mm	7,9 mm
AI-15-P-4	4,0 µH	1,5 A	58,5 mm	17,5 mm	5,4 mm
AI-15-P-6	6,0 µH	1,5 A	58,5 mm	17,5 mm	5,4 mm
AI-15-P-8	8,0 µH	1,5 A	58,5 mm	17,5 mm	5,4 mm
AI-15-P-10	10,0 µH	1,5 A	62,0 mm	21,0 mm	5,4 mm
AI-15-P-12	12,0 µH	1,5 A	65,0 mm	24,0 mm	7,0 mm
AI-15-P-14	14,0 µH	1,5 A	69,0 mm	28,0 mm	7,1 mm
AI-15-P-16	16,0 µH	1,5 A	65,0 mm	24,0 mm	8,0 mm
AI-20-P-4	4,0 µH	2,0 A	58,5 mm	17,5 mm	5,5 mm
AI-20-P-5	5,0 µH	2,0 A	58,5 mm	17,5 mm	5,5 mm
AI-20-P-6	6,0 µH	2,0 A	65,0 mm	24,0 mm	7,1 mm
AI-20-P-7	7,0 µH	2,0 A	65,0 mm	24,0 mm	7,1 mm
AI-20-P-8	8,0 µH	2,0 A	65,0 mm	24,0 mm	7,1 mm
AI-20-P-9	9,0 µH	2,0 A	65,0 mm	24,0 mm	7,0 mm
AI-20-P-10	10,0 µH	2,0 A	65,0 mm	24,0 mm	7,0 mm
AI-20-P-11	11,0 µH	2,0 A	65,0 mm	24,0 mm	7,1 mm
AI-25-P-4	4,0 µH	2,5 A	65,0 mm	24,0 mm	8,5 mm
AI-25-P-5	5,0 µH	2,5 A	65,0 mm	24,0 mm	8,5 mm
AI-25-P-6	6,0 µH	2,5 A	69,0 mm	28,0 mm	8,5 mm
AI-25-P-7	7,0 µH	2,5 A	69,0 mm	28,0 mm	8,5 mm
AI-30-P-3	3,0 µH	3,0 A	65,0 mm	24,0 mm	7,5 mm
AI-30-P-4	4,0 µH	3,0 A	65,0 mm	24,0 mm	7,5 mm
AI-30-P-5	5,0 µH	3,0 A	69,0 mm	28,0 mm	7,5 mm
AI-30-P-6	6,0 µH	3,0 A	69,0 mm	28,0 mm	7,5 mm

**Spezielle Bauformen**  
**Kabelkonfektion**  
**Special modeling**  
**connector and cable assembling**



**Sonderformen und Ausführungen können wir Ihnen immer liefern. Wir sind Hersteller von diesen Produkten.**

**Detaillierte technische Informationen erhalten Sie von uns auf Nachfrage.**

**Special designed version can always be supplied. We are manufacturer for this kind of products.**

**Detailed information will be given on request.**